

FEYDOM®



FEYDOM.COM

We started FEYDOM with one goal set in mind:

To create perfectly designed furniture that will complete all 5 design challenges.

We strived for comfort, transformability, attractiveness, durability, and affordability.

To meet the goal we talked to various people, visited homes all over Europe, questioned, listened, measured, experimented, and searched for a compromise.

With the gathered information we went on to brainstorm, plan, sketch, model, and test. We built one prototype after another.

Finally, we came up with something new. We stopped trying to design the perfect furniture for everybody. Instead, we set out to create a revolutionary concept that everybody could design themselves. We put the power of design into the costumers' hands.

We created the FEYDOM range of modular seating solutions. Seven innovative and adaptable designs for modern living, every one unique and full of it's own possibilities, designed for life that never sits still.

Welcome to the type of furniture that adapts to more than your space, it adapts to your life.

Created by designers, for the designer in all of us.



The fabric range in FEYDOM is always carefully chosen to satisfy the needed durability of furniture that can constantly be transformed.

SOFA SYSTEM CHOICE

Just a few seats and some cushions, designing your own living room has become beautifully easy.

Elements

This collection consists of 7 different seaters, ranging from 120-200cm, 3 armrests, and 11 types of pillows. All pieces are compatible with each other, which allows an opportunity to create a set suitable for almost any indoor space. Additional pieces can be added in order to change and adapt the set according any current needs.

Connectors

The elements can be connected to each other within seconds, which allows for quick switches into numerous different combinations. Simple Textile-Velcro connectors are used to hold the pieces together firmly, and they are easily removed by pulling them away from the material. To make the connectors invisible while in use or not, they are located on the bottom of the seats.

Materials

The construction frame is made out of solid beech wood what gives the sofa firmness and durability. A two-layered polyurethane foam is laid down on a dense net made out of wide elastic bands providing maximum comfort for both sitting and sleeping. We offer 3 types of cover materials ranging in 16 different colors. All of them are water resistant and very easy to clean. Furthermore, all Choice covers are removable and washable which is what makes them ideal for families with kids and pets, as well as wine lovers.

Storage

Each seating element has an easily accessible storage space located under each seat.

Removable covers

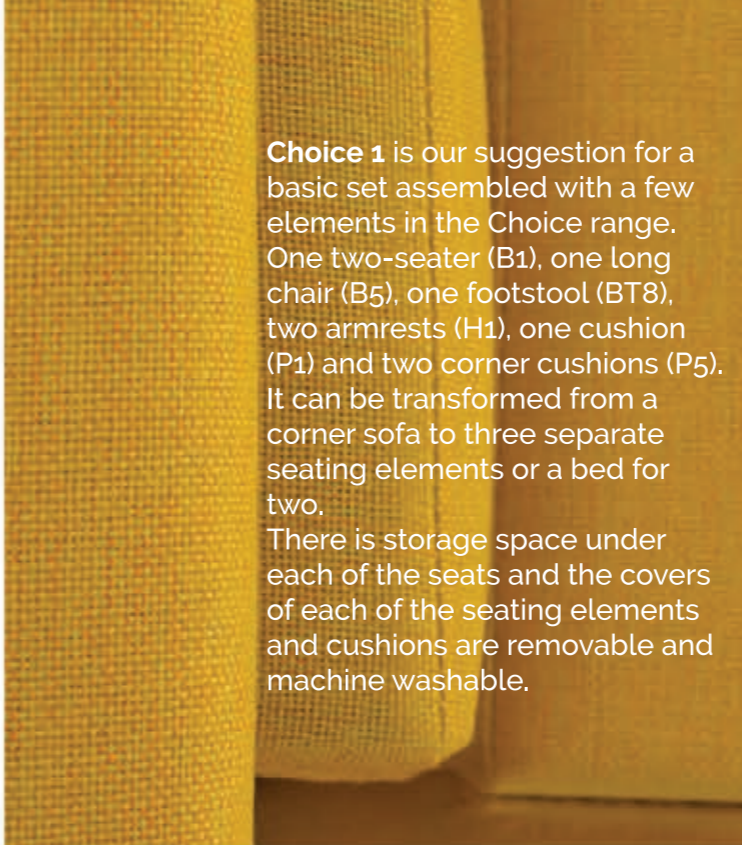
All seats and cushions have removable covers that are machine washable. Also, each part can be ordered additionally, and in different colors.



CHOICE 1

CHOICE IS YOURS!





Choice 1 is our suggestion for a basic set assembled with a few elements in the Choice range. One two-seater (B1), one long chair (B5), one footstool (BT8), two armrests (H1), one cushion (P1) and two corner cushions (P5). It can be transformed from a corner sofa to three separate seating elements or a bed for two. There is storage space under each of the seats and the covers of each of the seating elements and cushions are removable and machine washable.



CHOICE 5

SAMPLE OF SIMPLE!





Choice 5 is a medium large set from the Choice range. Consisting Three two-seaters (B1), one footstool (BT8), three armrests (one H3 and two H2) and seven cushions (P7). It can be transformed from a corner sofa to three separate seating elements and footstool, or a bed for two plus a seating element. There is storage space under each of the seats and the covers of each of the seating elements and cushions are removable and machine washable.



CHOICE 16

KEEP THE CHANGE!



Choice 16 is a medium set from the Choice collection, a versatile combination.

Two two-seaters (B1 and B3), one footstool (BT7), two armrests (H2 and H3) and six cushions (one P6 and five P7).

It can be transformed from a corner sofa to three separate seating elements, two single beds, or a double bed.

There is storage space under each of the seats and the covers of each of the seating elements and cushions are removable and machine washable.



MODEL CHOICE

One of the best things about the modular movement is that it adjusts with you, adapting and changing as your needs do as well.

Designed for real needs in everyday use, Choice is a modular sofa made of a number of individual pieces that can be arranged into a shape to suit any type of modern living space. Combined with 3 different armrests and 8 different cushions, these modules can make combinations for that can fit almost any size of indoor space.

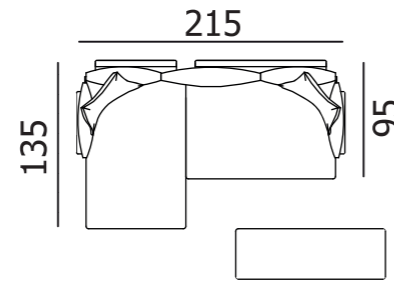
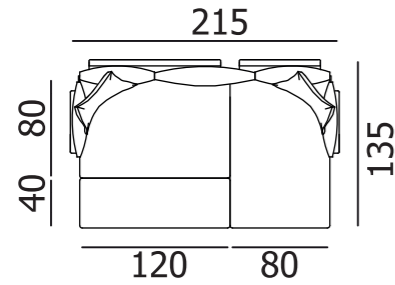
There is storage space available under each element and cushions that are removable making this sofa easy to maintain.

Simple Textile-Velcro Connectors are holding all parts firmly together to the bottom side of the seats and yet they are fast removable.

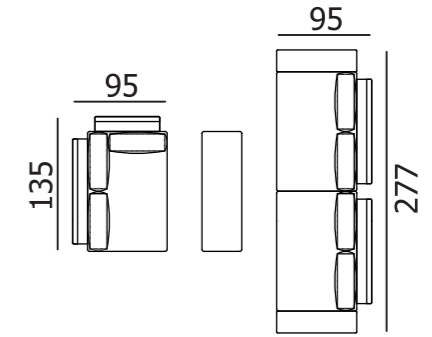
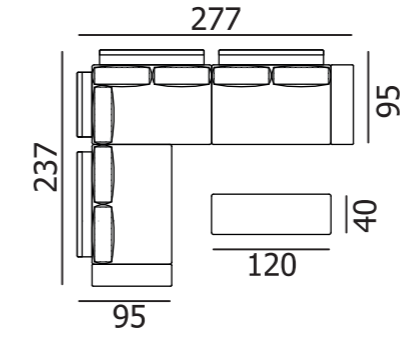
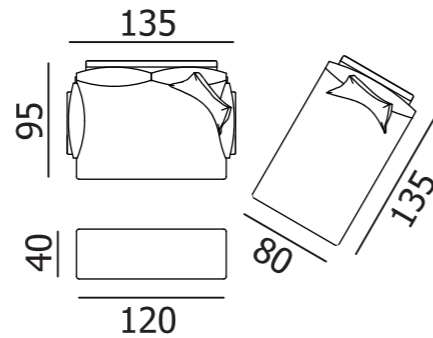
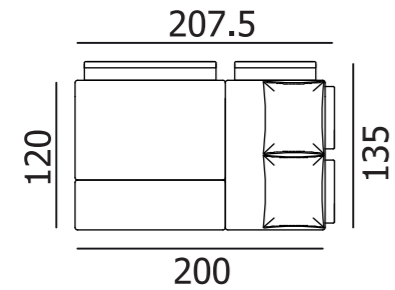
The basic structure of the elements is created by constructed frame made of solid beech wood.

A two-layer polyurethane foam is laid down on a dense net of wide elastic bands giving the connectors between them the ability to provide different levels of softness according to the customer's wish.

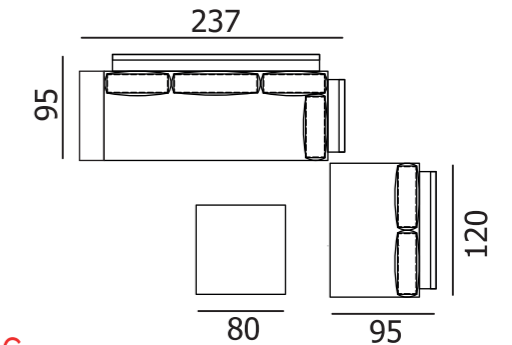
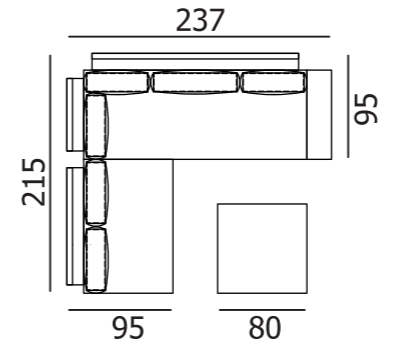
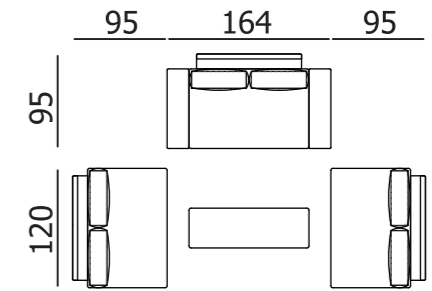
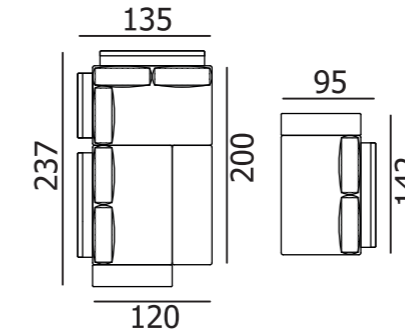
Different colors and textures create attractive seating arrangements to suit each particular room and its specific purpose.



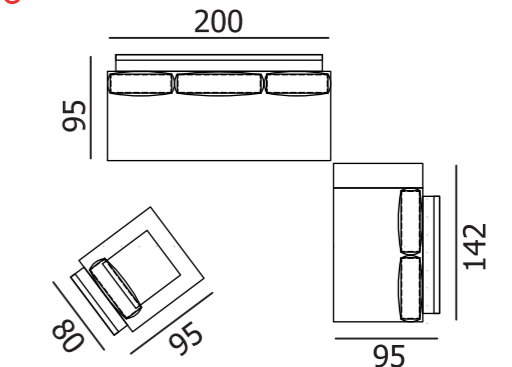
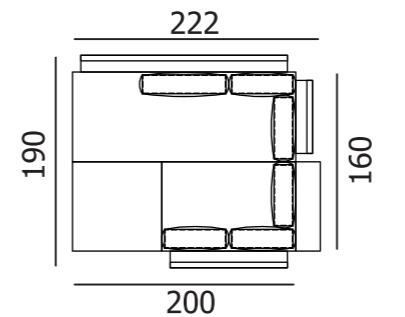
Choice 1



Choice 5



Choice 16



Choice features

Choose your design :

Add an armrest to suit your space and style



Corner solution :

By adding an extra armrest you can define the corner of the sofa



Easy removable cover on seats and cushions



Cushions



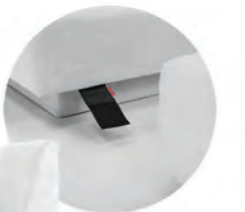
Variety of cushion and dimensions depending on the seating area

Easy accessible hidden storage space under each seating element



Three side connections

Connected modules within a second



The use of solid wood creates high quality frames with the needed firmness and durability.



SOFA SYSTEM BONBON

ONLY FOUR ELEMENTS, AND A HUNDREDS OF COMBINATIONS



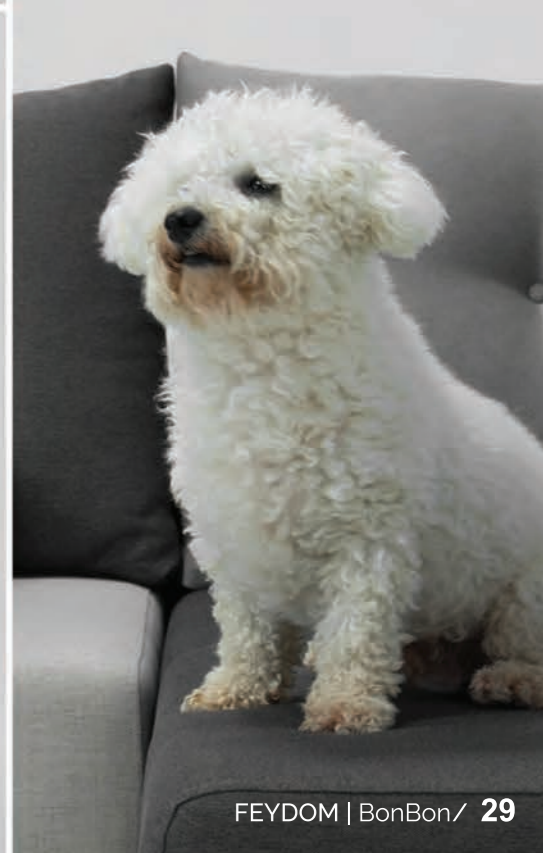
BonBon S

IT HAS ALL YOU NEED AND A LOT MORE !



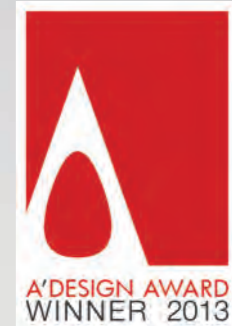


BonBon S is a small (S) set from the BonBon collection. Two bed/two-seaters (element A) and two pillows (element B). It creates a compact corner sofa that can be separated into two two-seaters or chaise lounges. Moreover, it can be transformed into two single beds or one double bed.



BonBon M

IT MOVES WITH ME!



BonBon M is a medium (M) set from the BonBon collection. Two bed/two-seaters (element A), three pillows (element B), one ottoman/armrest (element C) and one storage box/armrest (element D). It creates a long four-seater or a compact corner sofa. It can be connected into two chaise lounges or transformed into two single beds or a double bed. The storage box allows for extra convenience.



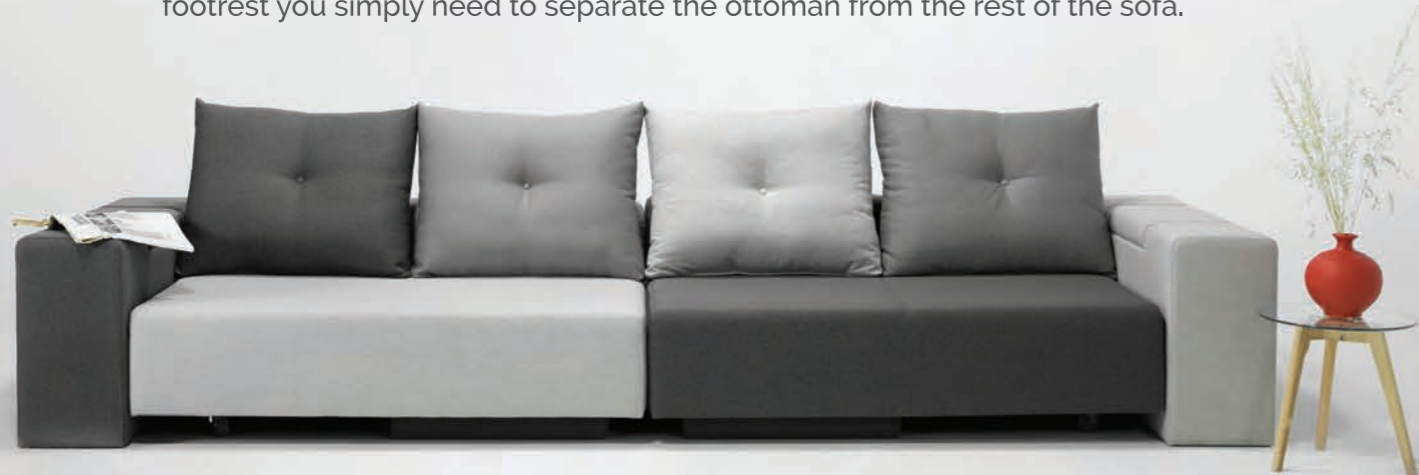


BonBon L

CHANGING THE ARCHITECTURE OF HOMES IN MINUTES!



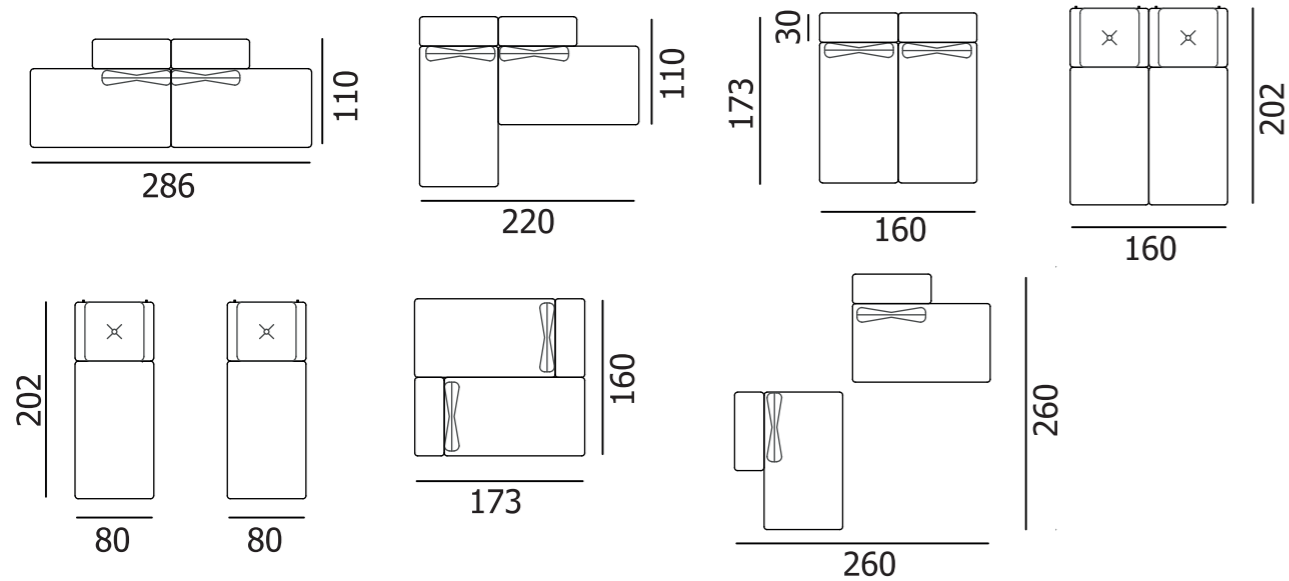
BonBon L is a large (L) set from the BonBon collection. Two bed/two-seaters (element A), four pillows (element B), two ottoman/armrests (element C) and two storage box/armrests (element D). It creates a corner sofa with two convenient storage boxes that are also armrests. In addition to the basic position it can be connected into a comfortable four-seater or two two-seaters. It can also be transformed into two single beds or a double bed. To get a footrest you simply need to separate the ottoman from the rest of the sofa.



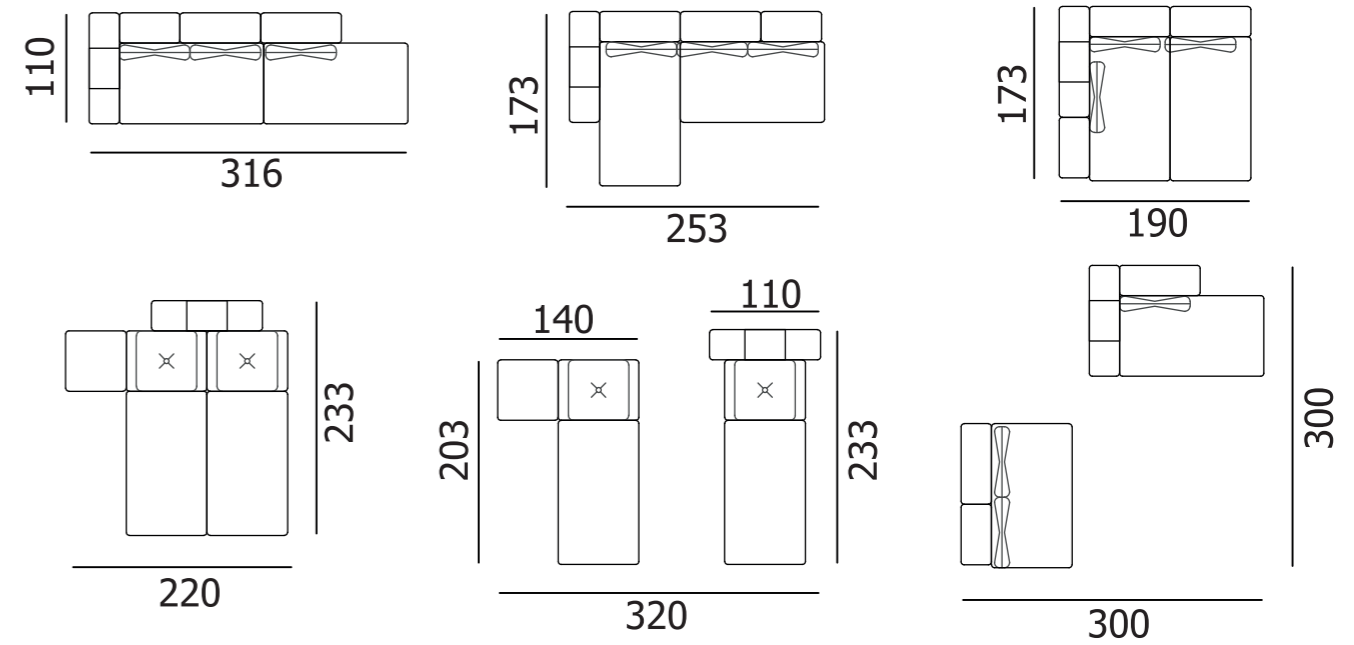
SOFA SYSTEM BONBON

This model is a true shape-shifter. Its unique design and functionality make this sofa a true gem among the seating solutions. Its efficiently sized seating elements and distinctive structure allow it to fit in the smallest of spaces without compromising on comfort and usage. The well-designed rotating platform allows for the front part to move both left and right meaning that this sofa can shift from the right to the left corner. Besides that, the shortened front seating elements can be adjusted into a chaise, or even a regular sized bed. The armrest is also used as storage space while the ottoman can be straightened and used as a back support. With a few well designed and highly functional components, hundreds of combinations can be made to suit anybody's preference.

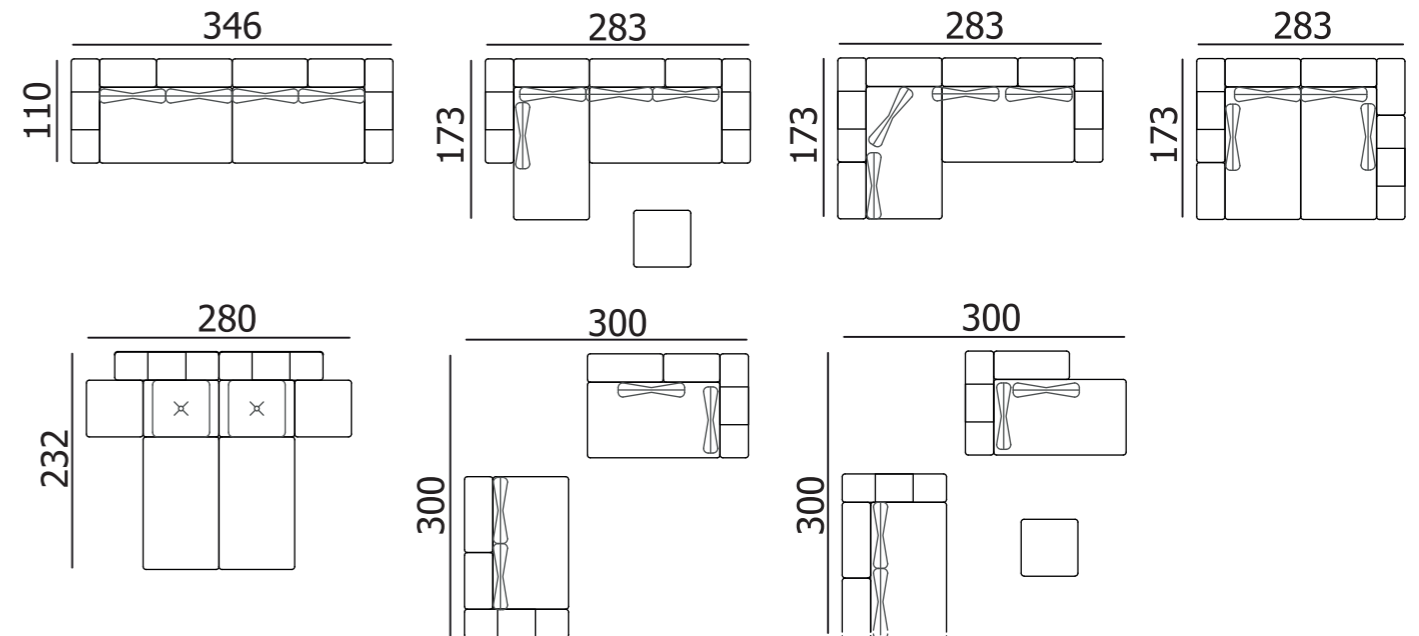
BonBon S



BonBon M



BonBon L



BonBon

Features

Element D
/ Armrest
/ Storage



Element C
Ottoman /
Back support



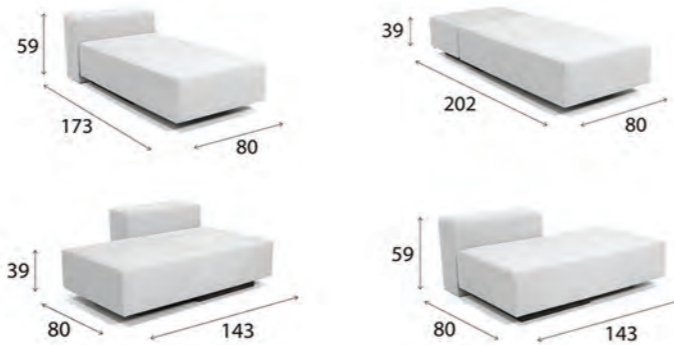
Element B
Cushion



Element A
Two seater
Single bed

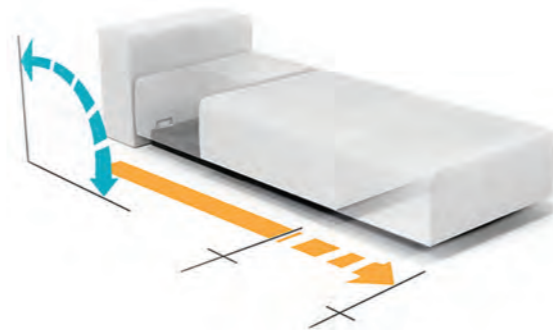
ELEMENT A / Bed

Dimensions



Possible positions of element A changed within a second

Transformation

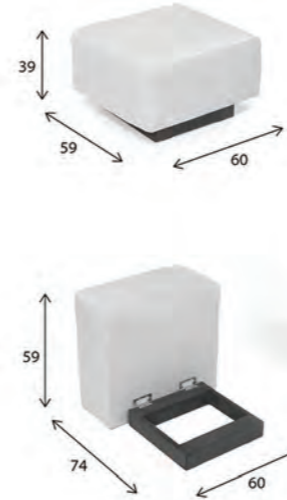


Pull out and extend the two seater to get a transformation of simple single bed



ELEMENT C / Ottoman / Back support

Dimensions

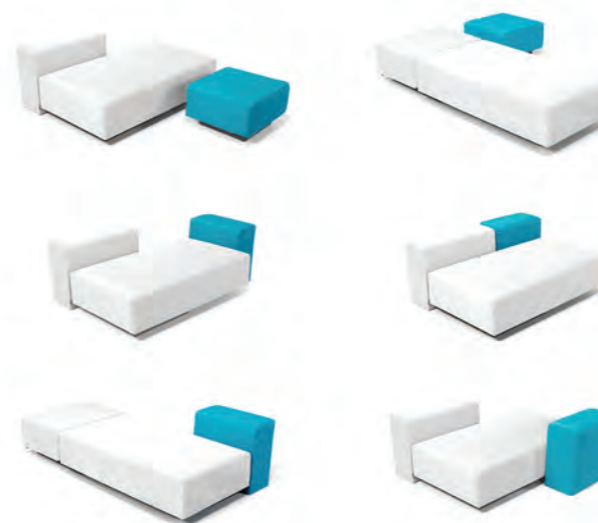


Transformation



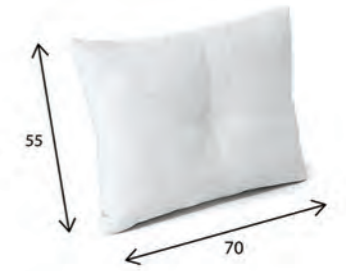
Transformation

Different ways and transformations of placing the ottoman



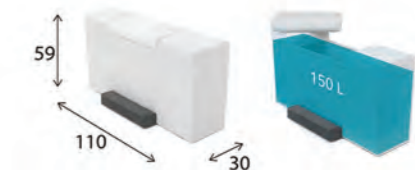
ELEMENT B / Cushion

Possible repositions of cushions



ELEMENT D / Armrest / Storage

Storage box of 150 L in each element D



Extremely strong and durable, elastic webbing provides the perfect balance of bounce and give.



interior
innovation
award
2012
Winner

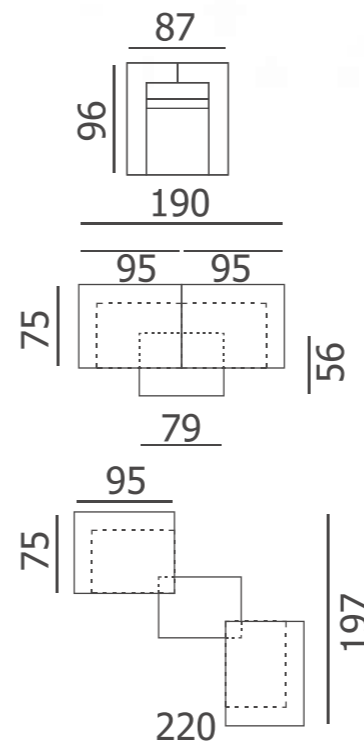

German
Design Award
NOMINEE 2013

Q6

MORE THAN JUST AN ARMCHAIR !



Combining elegance, simplicity, and style with rational design, the four parts that create the **Q6** give the option of multiple configurations. The **Q6** model is constructed with a solid beech wood frame covered with high-density polyurethane foam and upholstered with durable textile materials. It represents a piece of furniture that could easily be maintained for many years to come.



MATACAO

UNIQUE AND DIFFERENT ...

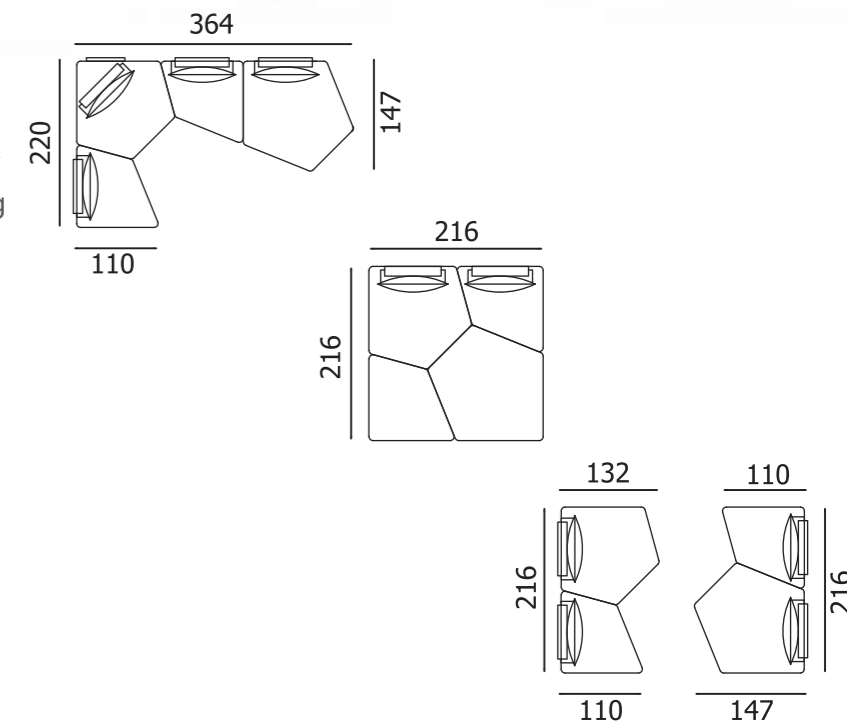


interior
innovation
award
2014
Selection



MATACAO is an attractive, simply structured, and modern upholstered Lounge Sofa Set. It consists of four separate seating elements with diverse seating configurations. Each element is a kind of armchair by itself. The back-support consists of an L-shaped element and two movable cushions. They can be attached on every side of the seating part. These give the **MATACAO** Sofa distinct solutions to enable the different types of sitting arrangements that each individual wishes to have.

The model **MATACAO** is a durable and easy to maintain piece of furniture, which allows for frequent changes in a many years of usage.



Perfect craftsmanship of cutting each individual piece.



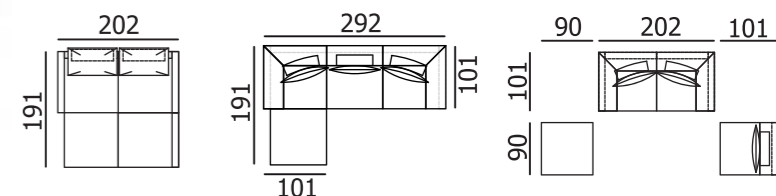
CUBAN

DIVE IN!





The **CUBAN** sofa system is designed for loungers. It contains two corner elements, a middle armchair and an ottoman. The parts can be combined separately, or placed together to form a corner sofa or a bed for two. A storage unit is hidden under each of the armchairs. The deep seating area and combination of fluffy pillows make this model any lounge's dream.



A series of strategically placed cuts,
perfectly made into layers of comfort



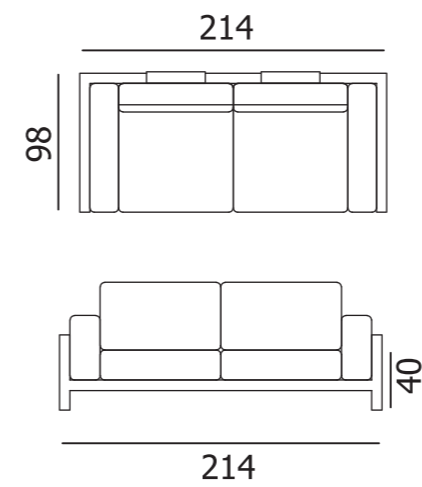
CLOUD

SOFTER THAN ANY OTHER ...





This sofa is designed for comfort and tranquility. It stands out by being softer than other models, and having a slightly deeper seating space. This one-piece model is ideal for smaller spaces; however, it too can be easily transformed into a bed or a lounge.



FEYDOM®

At Feydom we supply the ingredients for your upholstered furniture dreams



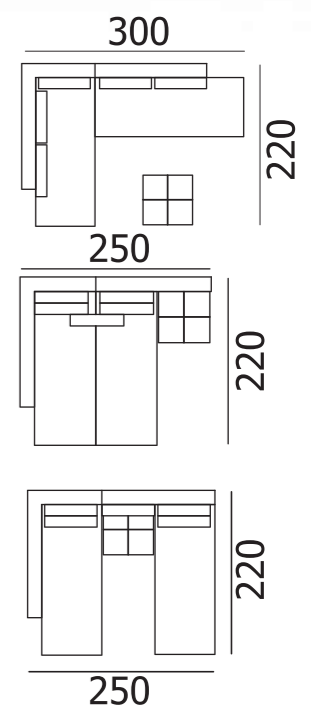
GEMINI A

PURE ELEGANCE !





Gemini A is a corner sofa created for spaces that range from middle-sized to large. It consists of two three-seaters, five pillows, and an ottoman. By shifting one of the three seaters, you easily turn this corner sofa into a queen-sized bed. The ottoman can be used as a footstool, table, or a nightstand once the sofa is positioned as a bed. The queen-sized bed can be split into two separate single beds with an ottoman as a nightstand in the middle, making it more suitable in other situations. With its long straight lines and minimalistic design, this sofa is an elegant way to fill in your living space without losing functionality.



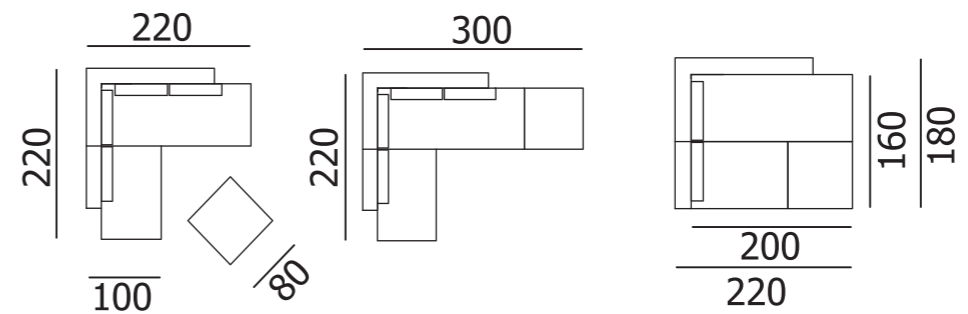
GEMINI M

SMALL AND SMART ...





This corner sofa solution is ideal for small to middle-sized living spaces. Its concept offers a corner seater, a double bed, and an extended seating sofa. By shifting the movable bed and attaching and ottoman, a queen-sized bed suitable for everyday sleep is made. The ottoman can be used as footstool, table, bed, and a seating extension on either side.



FEYDOM furniture was founded in 2005 as a production line for upholstered furniture designed by Filimena and Zoran Radonjanin.

Trying to find a solution for furniture that would adapt to modern life that "never sits still", they developed an innovative concept of transformable and modular products. The concept was quickly accepted as an affordable answer to the demand for versatile furniture in modern living rooms.

The simple and smart solutions that FEYDOM products provide have been awarded several times with some of the most prestigious product design awards worldwide:

2012 Interior Innovation Award Winner
2013 German Design Award Nominee
2014 Interior Innovation Award Selection
2016 Iconic Awards Selection
2017 German Design Award Special

The concept is a rare example of products with a highly awarded design combined with good quality and yet an affordable price. The sofa systems that can transform and adapt to different settings allow changing the living room in minutes according to different occasions. The idea is described well with a motto:

"Created by designers for the designer in all of us"

Since being established, FEYDOM has developed into a stable business structure made of the following segments:

- Manufacturing plant on 4000m2 in Skopje - Macedonia with 80 craftsmen employed
- Small but effective Distribution network in 10 countries across Europe
- Design and product development studio, HO1000D (House of Thousand Designers)
- Business accelerator for various projects in the furniture industry

All projects have been oriented and focused on innovation and environmental sustainability.

One of the things that make FEYDOM different from many other companies is that it has implemented 'total corporate transparency' and 'open allocation' of projects and resources as a fundamental to its business model. It allows for the system to easily implement new ideas and develop together with people who join any of the ongoing projects.

FEYDOM's story has just begun; in the future, FEYDOM products will be part of everyday life of many European families.

FEYDOM®

Created by designers, for the designer in all of us.

Made by : HO1000D

Graphic Design : Vasil Shemkoski, Lazo Lazarov

Photography : Sandra Petrovska